

Laser Coding and Identification System

LC-S by Frewitt Printing and Seidenader Vision



Frewitt Printing, the specialist of marking solutions in the Frewitt Group, and Seidenader Vision, the expert of vision systems in the Seidenader Group, are cooperating for the presentation of a unique laser coding and code verification system. Frewitt has developed a laser marking system using a low energy laser to engrave a DataMatrix code directly on the glass syringe barrel. Seidenader Vision provide the high speed vision system and illumination technique to verify this type of code reliably. With the combined machine building experience as well as control systems and data management solutions of the Seidenader Group and Frewitt Group a robust inspection machine is generated, suitable for the stringent requirements of pharmaceutical production environment.

Area of Application:

- invisible coding on barrel of prefilled glass syringes either in a dedicated mechanical module or integrated into the infeed of a Seidenader syringe inspection machine.

Operation:

- syringes are fed onto the LC-S module in hanging position
- a high speed laser applies Data Matrix ECC200 code (ISO 16022)
- a camera station verifies that code is legible and complete
- a reject mechanism eliminates products with defective codes
- good syringes are transferred to next process step

Benefits:

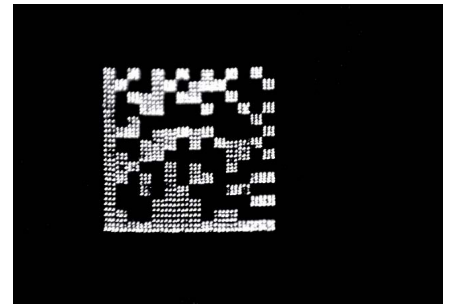
- 100% traceability of products
- unique type of coding against counterfeiting
- highly accurate code application through precision high-speed laser
- visible or invisible codes
- partnership of experienced specialists for customized applications and global technical support
- mass serialization for unique identification to isolate potential problems or to document FiFo processing
- GS1-AI format compatible
- fully 21 CFR part 11 compliant control system
- low false reject rate





Product : 123ABC
 Lot # : 678457
 S/N : 2579634

laser printed DataMatrix code on glass syringe barrel



laser printed DataMatrix code read by Seidenader Vision camera



Technical Data LC-30-S / LC-60-S:

Application: on barrel of glass syringes
 Range of size: 0.5 ml – 10 ml
 Throughput rate: depending on syringe size,
 up to 300 syringes/min (LC-30-S)
 up to 600 syringes/min (LC-60-S)
 Voltage/frequency: 400 V, 3 Ph+ N+ PE, 50 Hz, ca. 4 kW standard,
 all other voltages possible through transformer
 Compressed air: Pressure 6 bar, consumption ca. 50 Nm³/h,
 connection ½"
 Exhaust: 200 Nm³/h
 Code: density up to 24 digits on a 16x16 DataMatrix
 Surface: down to 1 x 1 mm²
 Design: Complies with current GMP recommendations,
 OSHA regulations, CE requirements and EN 60204-1,
 21 CFR part 11 compliant



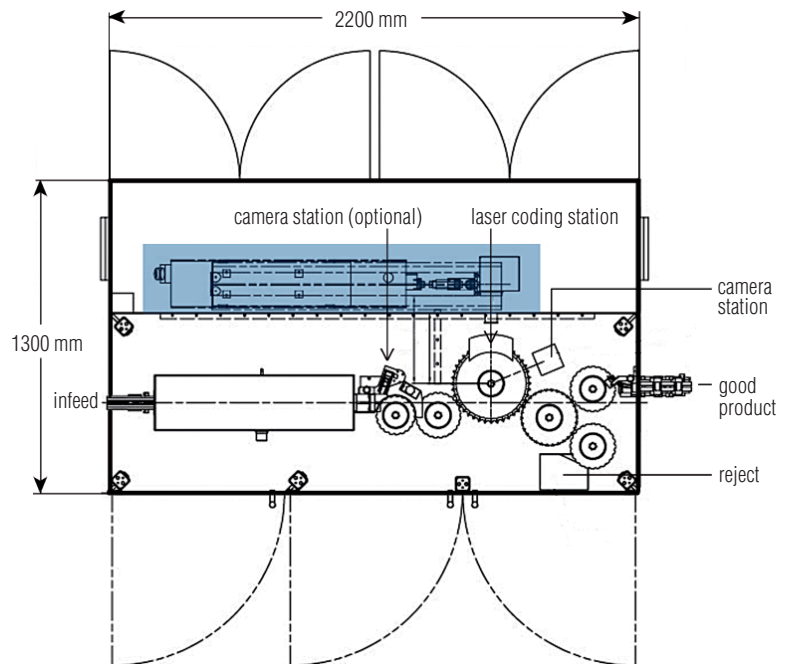
Frewitt Printing SA
 Route André Piller 43
 1720 Corminboeuf/Fribourg, Switzerland
 Phone +41 26 460 74 20
 Fax +41 26 460 74 21
 printing@frewitt.com
 www.frewitt.com/printing



Seidenader Vision GmbH
 Lilienthalstr. 8
 85570 Markt Schwaben, Germany
 Phone +49 (0)8121 802-0
 Fax +49 (0)8121 802-100

Seidenader Vision Inc.
 7429 Allentown Boulevard
 Harrisburg, PA 17112, USA
 Phone +1 (717) 540-0370
 Fax +1 (717) 540-0380

info@seidenader.de, www.seidenader.de



Since we are constantly working on the improvement of our high-quality machines, the texts, illustrations and figures on these pages are exemplary and not binding.