



ProFi-Sword/Dos/Bant/Lun

*Discharge, Dosing, and Filling Equipment for High Containment
Powder Processing for all Applications in the Pharmaceutical,
Food and Fine Chemical Industries*

ProFi-Sword/Dos/Bant/Lun

ProFi-Sword

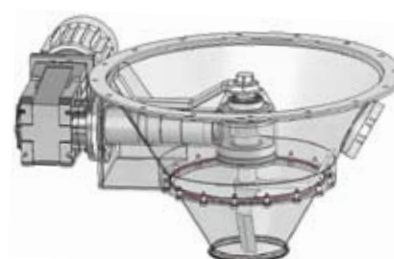
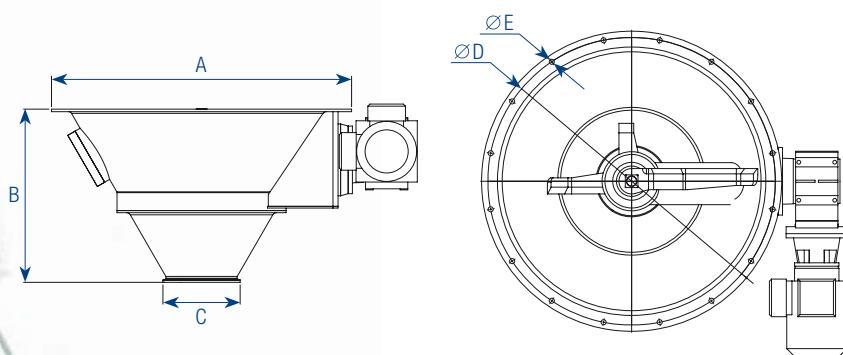
Powder delivered in free-flow

Dust-proof discharge aided with three rotating blades or «swords» (with different shapes) gently maintain the product in constant movement (fluidization).

Brief overview

- Contamination of the product is avoided thanks to the secure drive, bearing, and seal concept
- The ProFi-Sword is used in the pharmaceutical, chemical, and food products industries
- The bottom blades are adapted and aligned to the outlet pipe
- Available in ATEX design
- Delivery of heavy powder (bridging, sticking, settling)

Execution	Parts in contact with the product
Material	1.4435 / 1.4404 (AISI-316L)
Surface quality	Ra ≤ 0.8 µm
Sealing band	EPDM, FEP-O-SEAL, PTFE
Connections	ISO 2852-compliant Tri-Clamp
Weld seams	Ground and polished



	A	B	C	D	E
ProFi-Sword DN 150	Ø 710	410	(Ø 163.1)	Ø 680	16 x Ø 12

	Voltage	Power	Net Weight
ProFi-Sword	3 x 400 V - 50 Hz	0.75 kW	~ 120 kg

ProFi-Dos

The precise dosing device

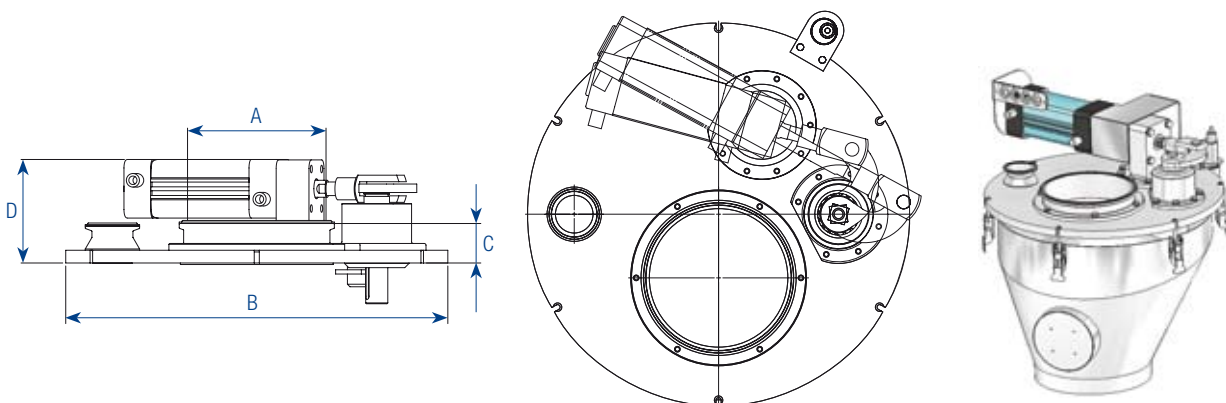
Precise and efficient dosing of powders and granulates.

The ProFi-Dos dosing model consists of a pneumatically operated gate valve. Low installation height combined with highly precise dosing are special features of the ProFi-Dos.

Brief overview

- Three different dosing phases (coarse, medium, fine) assure precise dosing.
- The ProFi-Dos is ideal for use in the pharmaceutical, chemical, and food products industries as:
 - High precision dosing equipment
 - As an OPEN/CLOSE shutoff mechanism
- Low installation height
- Available in ATEX design

Execution	Parts in contact with the product
Material	1.4435 / 1.4404 (AISI-316L)
Surface quality	Ra ≤ 0.8 µm
Sealing band	EPDM, FEP-O-SEAL, PTFE, Silicon
Connections	ISO 2852-compliant Tri-Clamp
Weld seams	Ground and polished



	A	B	C	D
ProFi-Dos DN 150	(∅ 163.1)	∅ 450	46.5	166

	Compressed air	Compressed air flow rate	Net weight
ProFi-Dos DN 150	Min. 5 bar	500 N.L/Min. kW	~ 31 kg





ProFi-Bant

Pneumatic dust-proof bag Holding Device

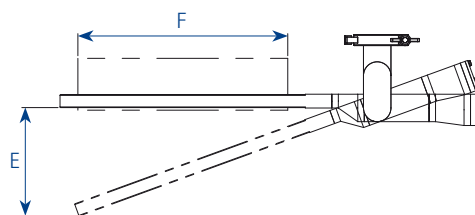
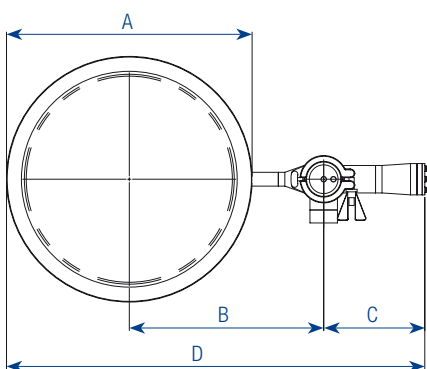
The quick, easy, and efficient inflatable gasket bag attachment method.

Brief overview

- The dust-proof connections prevent contamination of the product
- Operates independently of other power sources such as electricity (all that is needed is compressed air for the inflatable gasket)
- Suitable for filling paper and plastic bags as well as Big Bags
- Quick and easy cleaning
- Designed for use in the pharmaceutical, chemical, and food products industries
- Available in ATEX design



Execution	
Material	1.4301 / 1.4305 (AISI-304L)
Surface quality	Ra ≤ 1.4 µm
Sealing band	Silicon
Weld seams	Ground and polished



	A	B	C	D	E	F
ProFi-Bant DN 200	∅ 274	300	160	596.6	150	∅ 219.1
ProFi-Bant DN 300	∅ 379	300	160	649.1	167.4	∅ 323.9

ProFi-Bant	Compressed air	Net weight
	Max. 1.5 bar	~ 4 kg





ProFi-Lun

Manual dust-proof Big Bag Holding Device

The dust-proof connection system.

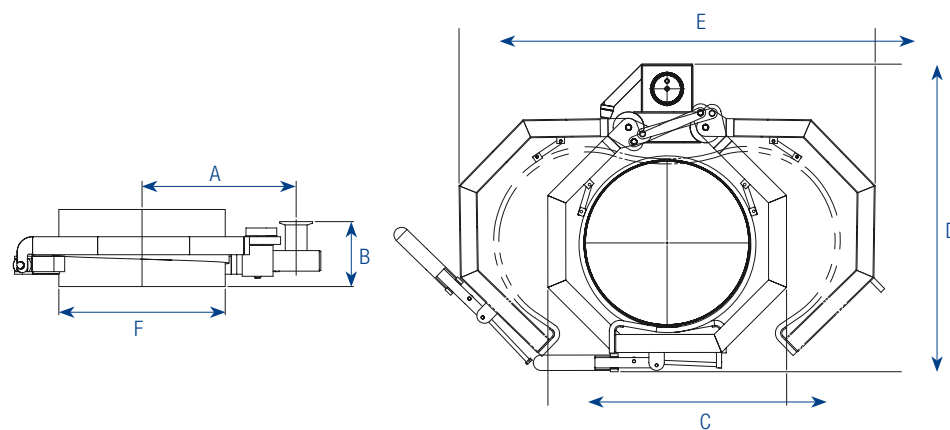
This manually-operated connection device can also be used in areas where there is no additional power source such as compressed air or electricity.

Brief overview

- Compact, space-saving, hygienic design
- Stainless steel construction, compliant with ATEX Directive 94/9/EG
- Quick and easy cleaning
- Designed for use in the pharmaceutical, chemical, and food products industries



Execution	
Material	1.4435 / 1.4404 (AISI-316L)
Surface quality	Ra ≤ 1.4 µm
Sealing band	Silicon, PTFE
Other plastics	CR NEOPREN
Weld seams	Ground and polished



	A	B min.	C	D	E	F
ProFi-Lun DN 200	300	100	380	543	687	∅ 219.1
ProFi-Lun DN 300	300	100	465	599	810	∅ 323.9

	Operation	Net weight
ProFi-Lun	Manual	~ 10 kg





Worldwide presence

References

Arena Pharmaceutical GmbH
 Bayer Schering AG
 BASF Orgamol SA
 Boehringer Ingelheim GmbH
 Ciba Spezialitätenchemie AG
 Cilag AG

Clariant Produkte AG
 F. Hoffmann-La Roche AG
 Firmenich SA
 Grünenthal GmbH
 Hobako AG
 Lonza AG

Merck & Cie KG
 Nestlé SA
 Novartis Consumer Health SA
 Pfizer
 Pharmasynthese
 Sanofi Aventis

Sanofi Chimie
 Siegfried LTD
 UCB Farchim SA
 etc.



Frewitt SA

Route du Coteau 7
 CH-1763 Granges-Paccot
 Postal address:
 Box 615
 CH-1701 Fribourg
 Switzerland
 T +41 (0)26 460 74 00
 F +41 (0)26 460 74 01
 info@frewitt.com
 www.frewitt.com



Frewitt SA

Route du Coteau 7
 CH-1763 Granges-Paccot
 Postal address:
 Box 615
 CH-1701 Fribourg
 Switzerland
 T +41 (0)26 460 74 00
 F +41 (0)26 460 74 01
 info@frewitt.com
 www.frewitt.com



Frewitt Printing SA

Route André Piller 43
 CH-1720 Corminbœuf/Fribourg
 Switzerland
 T +41 (0)26 460 74 20
 F +41 (0)26 460 74 21
 printing@frewitt.com
 www.frewitt.com/printing

Address agent:

