



Lab-Line

TC-Lab Sizing and sieving mill «rotating» with conical sieve

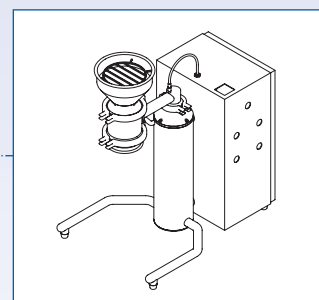
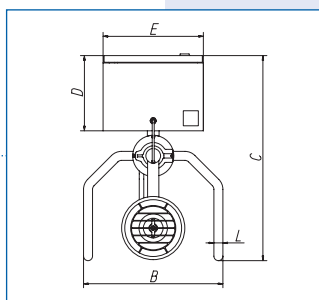
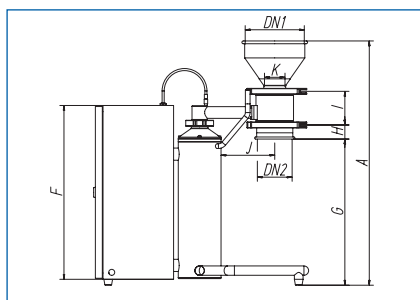
The following advantages are your profit:

The modular, compact and user friendly concept of the TC-Lab with conical sieve guarantees optimum sizing results from both dried and wet products for the pharmaceutical, chemical and food industries.

- The fully sealed sizing head makes any product contamination absolutely impossible
- Guaranteed minimum distance between rotor and sieve (mechanical contact impossible)
- Stepless adjustable rotor speed incl. display «rpm»
- Different rotor types for wet and dry sizing
- Fast and easily removable machine head (weight appr. 2.30 kg)
- Sizing head for sterilisation at 130 °C
- Quick, efficient and user-friendly cleaning
- Light, compact and space-saving mill
- Gas purged drive bearing heads on request
- Customised solutions thanks to the completely modular and flexible construction of the TC-Lab
- Adapter for Glove-Box installation
- Fulfills the guidelines of ATEX-94/9/EC



Technical data (subject to modifications)



| Installation | A | B | C | D | DN1 | DN2 | E | F | G | H | I | J | K | L |
|-------------------------------|---|-----|-------------------------------|-----|-------------|--|--------|-----|------------|----|----|-----|----|----|
| Not Ex | 703 | 417 | 611 | 225 | 170 | 100 | 300 | 500 | 420 | 40 | 96 | 155 | 59 | 27 |
| Ex | 703 | 417 | 786 | 400 | 170 | 100 | 415 | 500 | 420 | 40 | 96 | 155 | 59 | 27 |
| | Flowrate* | | Voltage | | Rotor speed | | Power | | Net weight | | | | | |
| Not Ex | ~30 kg/h | | 110V-230V – 50/60Hz P+E+N | | 200–4000 | | 400 kW | | ~60 kg | | | | | |
| Ex | ~30 kg/h | | 200 V–250V – 50/60Hz P+E+N | | 200–3500 | | 375 kW | | ~65 kg | | | | | |
| Execution | Parts in contact with product | | | | | Parts not in contact with product | | | | | | | | |
| Material | 1.4435 / 1.4404 (AISI-316L) | | | | | 1.4301 / 1.4305 (AISI-304) | | | | | | | | |
| Seals | FDA conform seal material (EPDM / PTFE) | | | | | Various seal material | | | | | | | | |
| Surfaces | Funnel Ra ≤ 0,8 µm polished / Head Ra ≤ 0,4 µm polished | | | | | Ra ≤ 1,4 µm, polished | | | | | | | | |
| Welding seams | ground and polished | | | | | Treated and ground | | | | | | | | |
| Rotor | Dry sizing | | | | | Wet sizing | | | | | | | | |
| Sieve | Round opening – ø 0,5 mm – 2,0 mm | | | | | Square opening – □ 3,0 mm x 3,0 mm | | | | | | | | |
| Distance rotor / sieve | Guaranteed minimum distance | | | | | | | | | | | | | |
| Rotor speed | Stepless adjustable incl. display | | | | | | | | | | | | | |

* Flowrate is depending on product characteristics and particle size.